

451/1

**COMPUTER STUDIES**

**SECTION A (40 MARKS)**

Answer all the questions in space provided.

1. List 5 hardware components that form a complete computer system. 2 1/2mks\*Tso\*
2. What do you understand by the term 'Disk initializing'? 1mks\*Tso\*
3. Draw an illustration of:
  - a) Parallel cable 1mk\*Tso\*
  - b) USB port 1mk\*Tso\*
4. Explain the three parts of a task bar 3mks\*Tso\*
5. Name three examples of flat-panel monitors available in market today. 3mks\*Tso\*
6. (a) What is the difference between Real data type and an Integer data type as used in programming? 2 mk\*Tso\*  
(b) Differentiate between a source code and an object code. 2mks\*Tso\*
7. State three changeover strategies that can be used to move from the old system to a new one. 3mks\*Tso\*
8. Explain the 3 factors used to classify operating systems. 3mks\*Tso\*
9. What is the meaning of the following as used in word-processing:
  - i) Word wrap 2mks\*Tso\*
  - ii) Drop caps
10. Using the long division method convert  $45_{10}$  into binary. 1 mks\*Tso\*
11. a) Differentiate between a formula and a function as used in Excel 2 mks\*Tso\*  
b) What is the effect of the following function: COUNTIF(A10:E10, "eggs"). 1mk\*Tso\*  
c) Explain the meaning of legends as used in Excel. 1mk\*Tso\*
12. a) Name four database models. 2mks\*Tso\*  
b) State the work/function of the following field properties if set:
  - i) Format. 2mks\*Tso\*
  - ii) Default value
13. (a) List any 4 examples of DTP software available in the market today. 2mks\*Tso\*  
(b) What is the difference between the pasteboard and printable area? 2mks\*Tso\*
14. In electronic mailing (e-mail), what do the following domain refer to in an e-mail address 2mks\*Tso\*  
15.  
e.g. – Oketchjunior@yahoo.co  
  - edu
  - org
  - gov
  - co
16. Define the word protocol. 1mk\*Tso\*

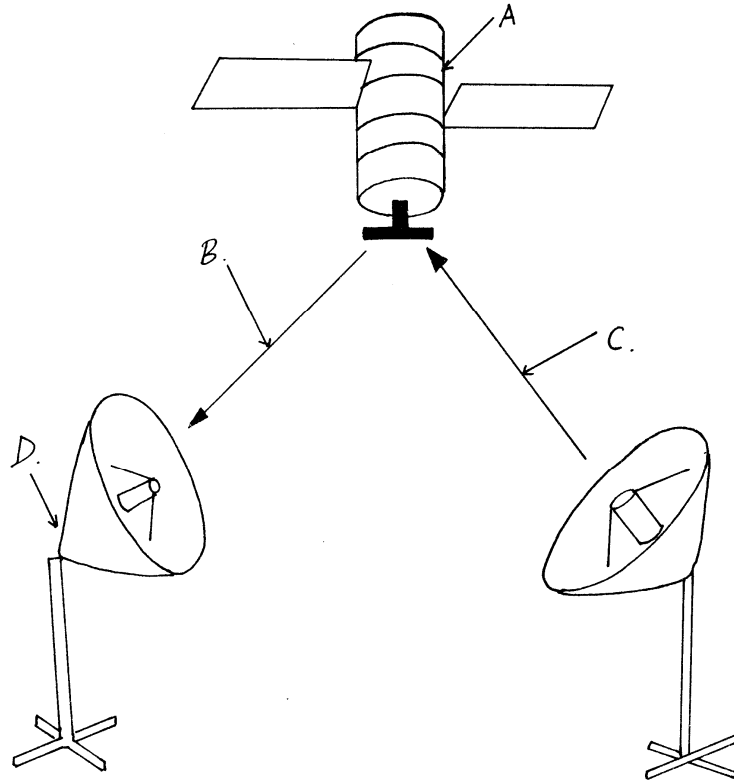
**SECTION B (60 MARKS)**

**Answer question 16 and any other three questions from this section**

17. a) Design a flowchart for a simple program that can be used to categorize people according to age. If the person is above or equal 18 years, output "Adult" otherwise output "Young" 8 mks\*Tso\*  
b) What is the difference between looping and selection. 2mks\*Tso\*  
c) Name the stage of program development cycle when:
  - i) A user guide would be written

- ii) A programmer dry-run the code.
  - iii) System charts would be drawn
  - iv) Staff training is done.
- d) State the 3 translators used in programming. 3mks\**Tso*\*

18. a) (i) Give the name of the communication media depicted in the diagram below. 1mk\**Tso*\*



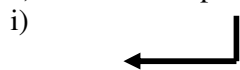
- (ii) Give names to the parts indicated by A,B,C,and D. 4mks\**Tso*\*
  - (iii) List three advantages of the communication media above. 3mks\**Tso*\*
- b) Explain the three major types of computer networks. 3mks\**Tso*\*
- c) Explain the purpose of the following on a network. 4mks\**Tso*\*

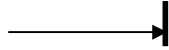
- i) A hub
- ii) A switch

19. a) Describe any three mouse techniques/skills 3mks\**Tso*\*

b) List four key groupings on a computer keyboard citing two examples in each. 4mks\**Tso*\*

c) Name and explain the function of the following key symbols. 2mks\**Tso*\*





- iv) Esc 2mks\**Tso*\*
20. i) Define the following terms:
- (a) Data processing. 2mks\**Tso*\*
  - (b) Data processing cycle 2mks\**Tso*\*
- ii) Describe any two-transcription errors. 4mks\**Tso*\*
- iii) State 3 data processing methods. 3mks\**Tso*\*
- iv) Distinguish between a logical file and a physical file. 4mks\**Tso*\*
20. a) What is desktop publishing?. 2 mk\**Tso*\*
- b) Explain the function of the following tools. 6mks\**Tso*\*
- i) Hand
- ii) Constrained line
- iii) Cropping
- c) Give three nonprinting guides used in PageMaker. 3mks\**Tso*\*
  - d) Describe how you can automatically kern a pair of characters. 4mk\**Tso*\*