

NAME: ..... INDEX NO: .....

SCHOOL: .....

451/1  
COMPUTER  
PAPER 1  
JULY / AUGUST 2008

## MOLO DISTRICT MOCK EXAMINATION Kenya Certificate Of Secondary Education 2008

451/1  
COMPUTER STUDIES  
PAPER 1  
JULY /AUGUST 2008

### INSTRUCTIONS TO CANDIDATES:

- ❖ Write your **name** and **Index** number in the spaces provided above.
- ❖ This paper consists of **TWO** sections **A** and **B**.
- ❖ Answer **ALL** the questions in section **A**.
- ❖ Answer question **16** and any other **THREE** questions from section **B**.
- ❖ All answer should be written in the spaces provided

SECTION	QUESTIONS	CANDIDATE'S SCORE
A	1-15	
B	16	
	17	
	18	
	19	
	20	
	TOTAL SCORE	

This paper consists of 11 printed pages. Candidates should check the question paper to ensure that all pages are printed as indicated and no questions are missing.

### SECTION A: (40 MARKS)

#### Answer all questions in this section

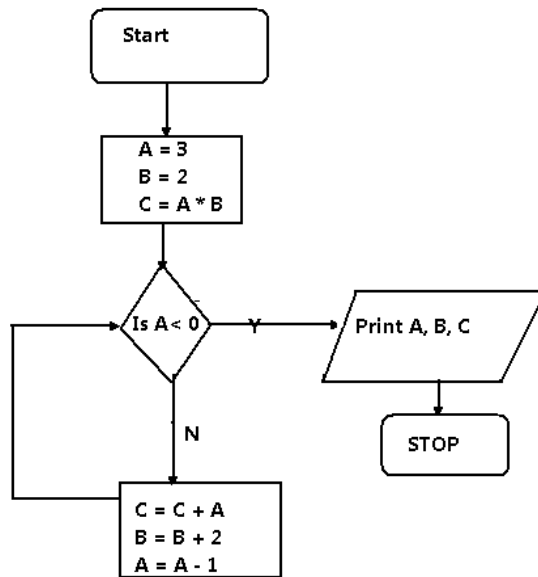
1. Files in a computer can be organised in several ways. **State three** considerations when selecting the type of file organization. (3mks)

.....  
.....  
.....  
.....  
.....  
.....

2. Computers are finding applications in very many fields. **State any two** advantages of use computers in the retail business. (2mks)

.....  
.....  
.....  
.....  
.....  
.....

3. What will be the output of the following flowchart? (3mks)



A:

.....  
.....

B:

.....  
.....

C:

.....  
.....

4. Perform the following multiplication in binary form  $13_{10} \times 7_{10}$ . (2mks)

5. **Differentiate** between

(a) Data validation and verification (1mk)

.....  
.....

(b) Disk formatting and partitioning (1mk)

.....  
.....

(c) Search engine and hyperlink (1mk)

.....  
.....

6. **Explain two** measures that a company that is connected to the internet can take to safe guard its data. (2mks)

7. The Nation newspaper company wishes to employ the following people. **State two** responsibilities of each.

(a) Computer programmer. (2mks)

.....  
.....

.....  
.....  
(b) Web administrator.

(2mks)

.....  
.....  
.....  
.....

8. **Explain** the following

(a) Virtual reality

(1mk)

.....  
.....

(b) Expert system.

(1mk)

.....  
.....

9. **State one** merit and one demerit of each of the following

(a) Machine language programs

(1mk)

.....  
.....  
.....  
.....

(b) Microwave communication

(1mk)

.....  
.....  
.....

.....  
(c) Networking computers (1mk)

.....  
.....

.....  
.....

10. Softwares can be grouped as system and application. What is the difference? (2mks)

.....  
.....  
.....  
.....

11. An operating is a very important software in a computer. State three factors that one should consider while shopping for one. (3mks)

.....  
.....  
.....  
.....  
.....

12. Write the following acronyms in full

**BIOS** :  
.....  
.....

**MICR :**  
.....  
.....

**DVD:**  
.....  
.....

**MS** **DOS:**  
.....  
.....

13. (a) What is **DBMS**? (2mks)

.....  
.....

(b)A school want to use a DBMS to manage its records. **State any two** advantages of using it. (2mks)

.....  
.....  
.....  
.....

14. Apart from the main memory computer also use other memories explain the use of the following memories.

(a) Buffers (1mk)

.....  
.....

(b) Cache memory (1mk)

.....  
.....

15. A parent wishing to buy a computer for her daughter saw the following advertisement on local newspaper **80GB HDD**, **1.7 GHZ**, **256RAM**, **WiFi**, explain each of the underlined words.

.....  
.....  
.....  
.....  
.....  
.....  
.....  
.....

**SECTION B: (60 MARKS)**

**Answer question 16 and any other three questions**

16. (a) Distinguish between source code and object code. (2mks)

.....  
.....



17. (a) State any three reason why people may resist the introduction of computers at their place of work. (3mks)

.....  
.....  
.....

(b) State two operational methods of an organizational ensuring the security of data. (2mks)

(i) .....  
(ii) .....

(c) Explain two uses of computers in healthcare (8mks)

.....  
.....  
.....  
.....  
.....  
.....  
.....

(d) Explain any four criteria for choosing an operating system (8mks)

.....  
.....  
.....  
.....  
.....  
.....  
.....  
.....



18. (a) Briefly explain the following terms as used in spreadsheet. (4mks)

- (i) Cell.....  
 (ii) Range.....  
 (iii) Value.....  
 (iv) Function.....

(b) List three paragraph formatting features of word processors. (3mks)

- (i) .....  
 (ii) .....  
 (iii) .....

(c) Explain the difference between the printing of multiple pages and multiple copies. (2mks)

.....  
 .....  
 .....

(d) Distinguish between a worksheet and a work book (1mk)

.....  
 .....

(e) The following is an excel worksheet showing the performance of students in Tana class.

A	B	C	D	E	F	G	H
	Adam	Student name	Cat 1/50	Cat 2/50	Total /40	Exam /60	Total
1	4321	Dolline Mbesa	30	28	(a)	45	(b)
2	4333	Selina Mbugua	20	29		55	
3	4330	Winnie Wanjema	25	26		50	
4	4322	Magaret Wambari	27	24		43	
5	4324	Fani Njuguna	28	24		42	
6		Maximum	(c)				
7		Minimum	(d)				
8		Average	(e)				
9							

Using the above worksheet write the following formula to calculate the values in cells labeled. (4mks)

.....  
.....  
.....  
.....

19. (a) Differentiate between macros and report in a database. (2mks)

.....  
.....

(b) List four tasks that can be performed in a database. (4mks)

- (i) .....
- (ii) .....
- (iii) .....
- (iv) .....

(c) Identify the most appropriate data type for these fields

- (i) Name: .....
- (ii) Admission number:.....
- (iii) Fees:.....
- (iv) Gender:.....

(d) From the above fields which field can be used as the primary key field? Explain?

(2mks)

.....  
.....  
.....

(e) List six data base programs available in the market today. (3mks)

- (i) .....
- (ii) .....
- (iii) .....
- (iv) .....
- (v) .....

- (vi) .....
- 20. (a) Define the following terms (4mks)
  - (i) Internet:.....
  - (ii) Domain name:.....
  - (iii) ISP:.....
  - (iv) WWW:.....

(b) Explain 5 application of internet in a learning institution (5mks)

- a. ....
- b. ....
- c. ....
- d. ....
- e. ....

(c ) Describe 3 security threats of data stored in a computer system (3mks)

- a) .....
- b) .....
- c) .....

(d) State three measures that can be taken to protect data against such threats. (3mks)

- (i).....
- (ii).....
- (iii).....